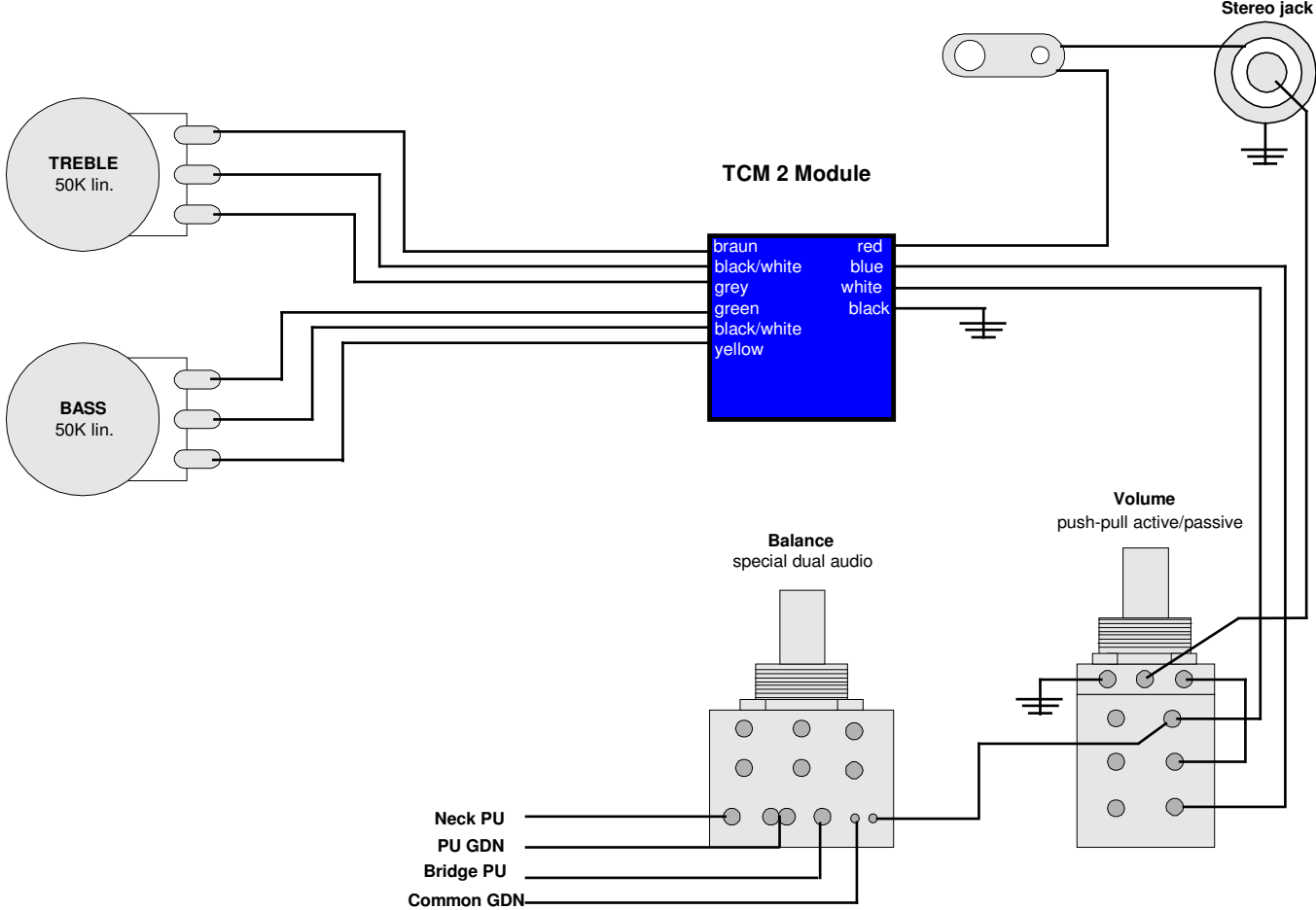


NOLL TCM 2 WIRING DIAGRAM



Bass and Treble pots shown rear view.
 Inserting 1/4" plug applies power to TCM 2.
 For single pickup, eliminate blend pot and wire pickup directly to volume pot.
www.noll-electronic.de