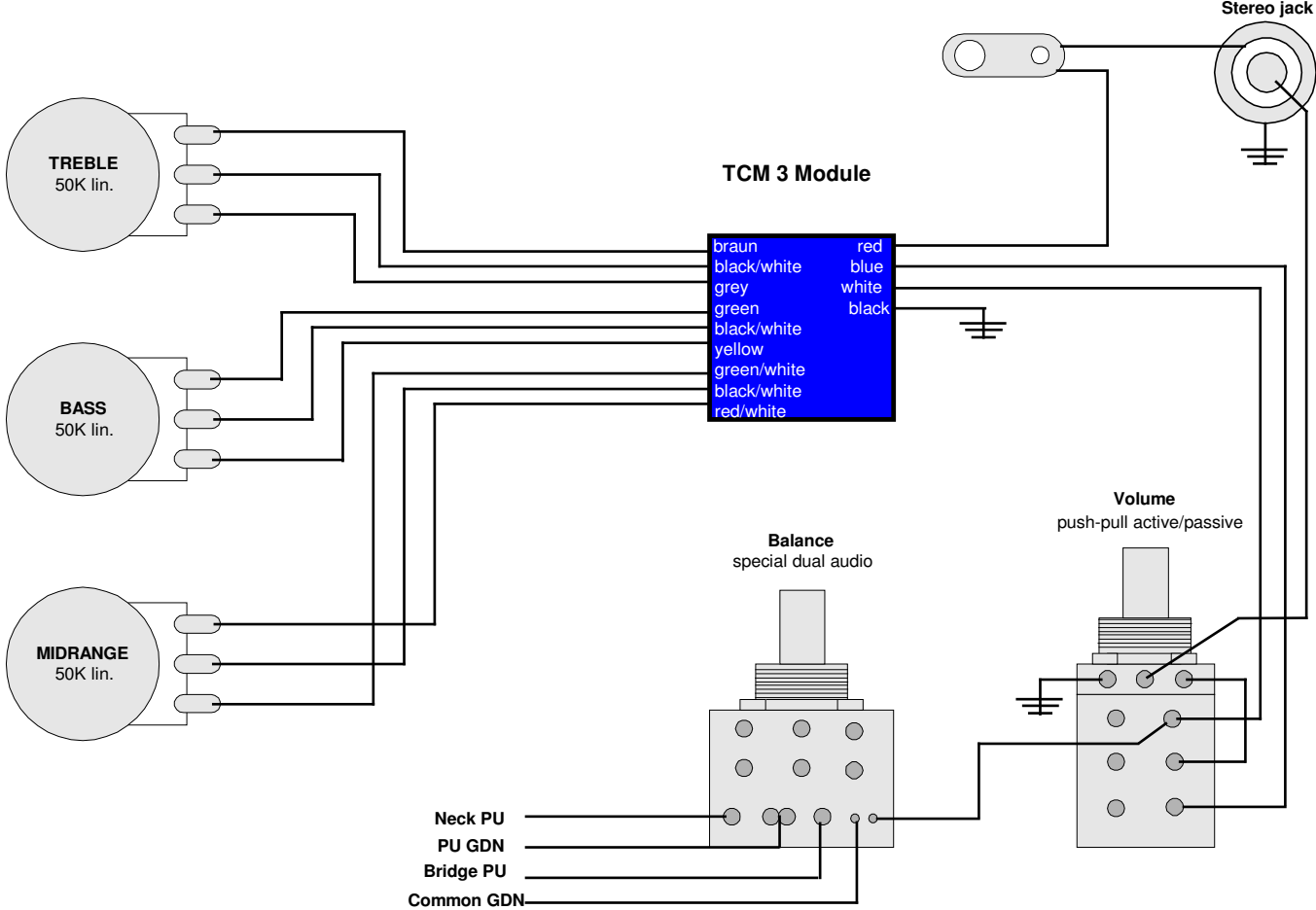


NOLL TCM 3 WIRING DIAGRAM



Bass, Mid and Treble pots shown rear view.
 Inserting 1/4" plug applies power to TCM 3.
 For single pickup, eliminate blend pot and wire pickup directly to volume pot.
www.noll-electronic.de